

Part number:

**HYDROMA**

HYDRAULICKÉ SYSTÉMY

**HIDROMA  
SYSTEMS**

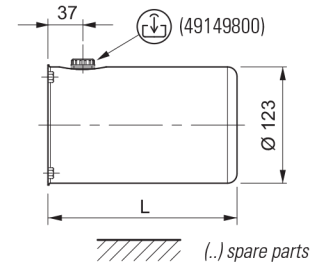
UKŁADY HYDRAULICZNE

**HYDROMA**

ГИДРАВЛИЧЕСКИЕ СИСТЕМЫ

\* \*\* \* (H) \*\* \* - Tanks Ø 123 - Sheet steel, capacity 1-2-3 liters - Horizontal mounting (black painted)

Capacity	Features	Mounting	Variant (1)	L (mm)	Capacity (liters)			Tank (with plug)	Tank fixing kit (screws and O-Ring)
					Nominal	Full	Usable		
01				141	1	1.0	0.7	90310000	17010086
02	A	(H)	00	200	2	1.6	1.5	90310001	
03				330	3	3	2.8	90310002	



(1) Variant - OMIT if without tank but with tubes kit

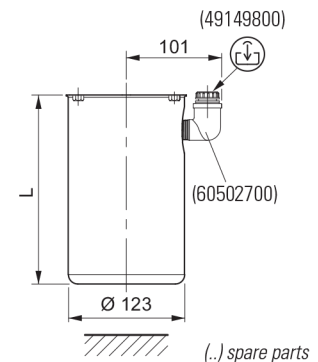
**Other variants**

Variant	Tank	Variant	Tank	Variant	Tank	Variant	Tank

IV  
V

\* \*\* \* (V) \*\* \* - Tanks Ø 123 - Sheet steel, capacity 1-2-3 liters - Vertical mounting (black painted)

Capacity	Features	Mounting	Variant (1)	L (mm)	Capacity (liters)			Tank (with plug)	Tank fixing kit (screws and O-Ring)
					Nominal	Full	Usable		
01				141	1	0.9	0.7	90310009	17010086
02	A	(V)	00	200	2	1.6	1.5	90310010	
03				330	3	2.9	2.9	90310011	



(1) Variant - OMIT if without tank but with tubes kit

**Other variants**

Variant	Tank	Variant	Tank	Variant	Tank	Variant	Tank